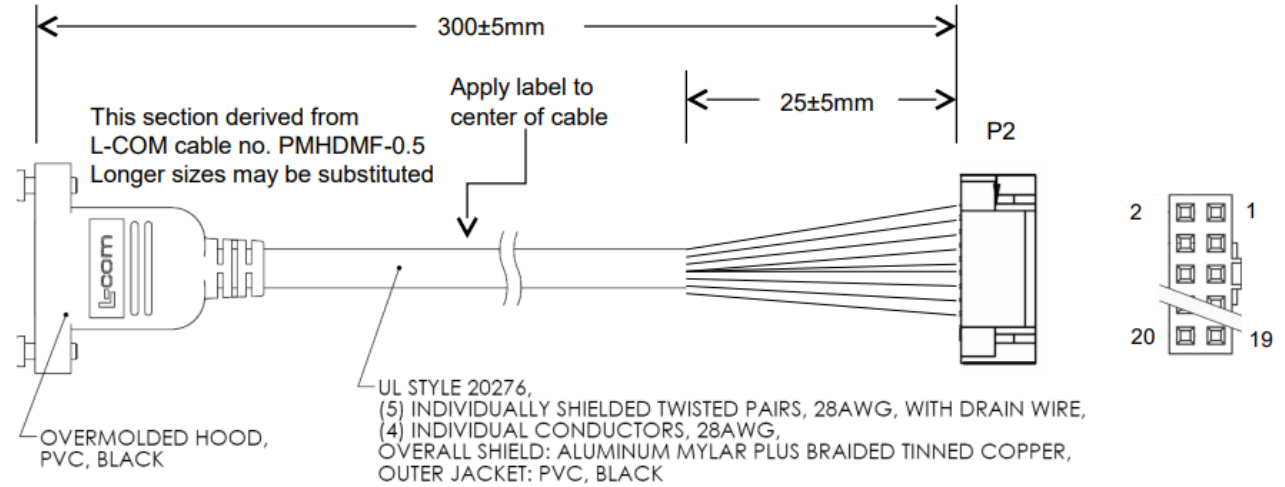
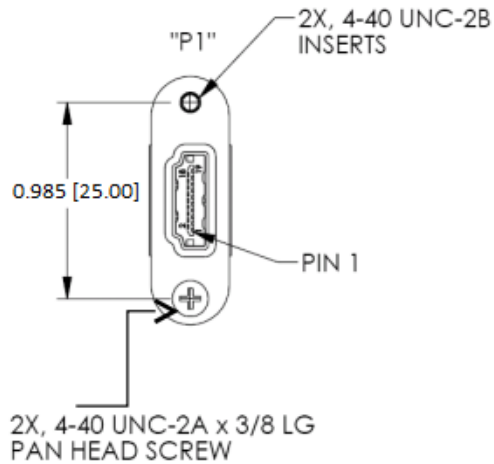
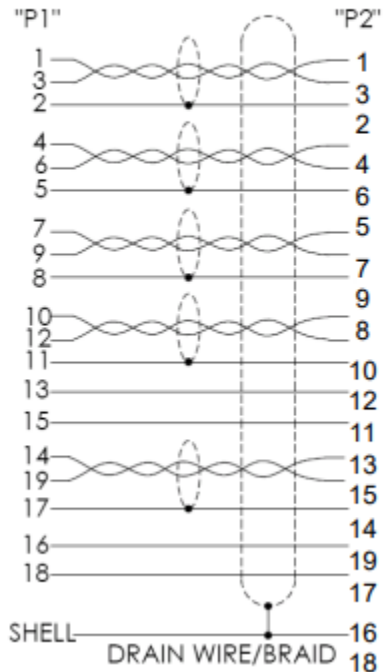


HDMI FEMALE
19 PIN CONNECTOR
GOLD PLATED CONTACTS
AND SHELL

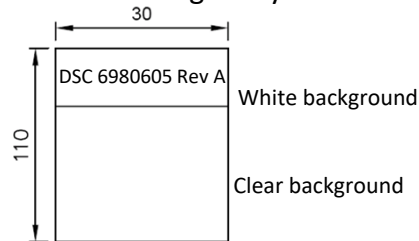


Wiring Diagram



Label Details

Similar design may be substituted



No	ITEM	QTY	DESCRIPTION
P1	PMHDMF0.5	1	HDMI Type A, Panel Mount Cable
P2	10073599-020LF	1	Housing, 20 Position, 2mm Pitch
	77138-001LF	20	Socket Contact, 26-30 AWG

NOTES:

1. ALL DIMENSIONS ARE "MM".
2. THE PRODUCT MUST BE COMPLY WITH THE DIRECTIVE OF ROHS.
3. PACKAGE: 1PC/BAG.

Diamond Systems Corp.
Cable no. 6980605 Rev B
HDMI Cable, Latching 2x10, 2mm
to HDMI Panel Mount

 **DIAMOND**
S Y S T E M S
www.diamondsystems.com